

# LSW SERIES Outdoor Lighting

LSW-22WW-PC  
LSW-22NW-PC  
LSW-22CW-PC



Selection:

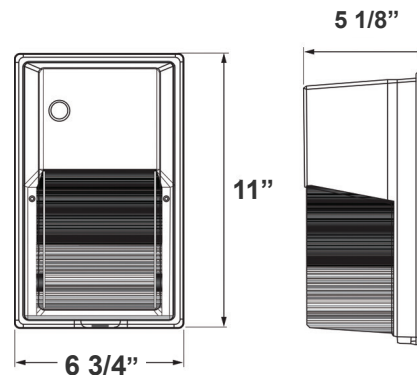


Customer Name: \_\_\_\_\_

Project Name: \_\_\_\_\_

Note: \_\_\_\_\_

Type: \_\_\_\_\_



11"(L) x 6 3/4"(W) x 5 1/8"(H)

LED Non-Cutoff Wall Pack with Photocell is ideal for general site lighting, loading docks, doorway, pathway and parking areas.

## Features

- Back plate: Die-cast aluminum
- Threaded 1/2" Knockout Provided on Top Section of the Back
- Polycarbonate Housing & Lens
- 7-Year Warranty

## Technical Specifications

### Electrical:

- Voltage: 120-277VAC 60Hz
- Wattage: 20W
- Power Factor: >0.95
- Efficacy: 100/ 103/ 105 LPW
- Includes Pre-wired Photo Electric Control (Dusk to Dawn Photocell), 120 Volt, Removable
- Photocell Response Time: Maximum 3 Seconds

### Mechanical:

- Back plate: Die-Cast Aluminum with Mounting/Gasket Installed
- Threaded 1/2" Knockout Provided on Top Section of the Back
- Polycarbonate Housing & Lens
- Non-Cutoff Optics Ideal for Maximum Light Distribution
- Operating Temperature: -4°F -104°F
- Wet Location
- 7-Year Warranty
- IP54

### Lighting:

- LED Type/Brand: SMD 3030/ Philips Lumileds LEDs
- Front: Polycarbonate Lens and Housing
- Total Lumens: 2000LM/ 2050LM/ 2100LM
- Color Temperatures: 3000K/ 4000K/ 5000K
- Color Rendering Index: CRI ≥ 80
- Beam Angle: 90° x 110°
- Rated life: 70,000 Hrs

### Applications:

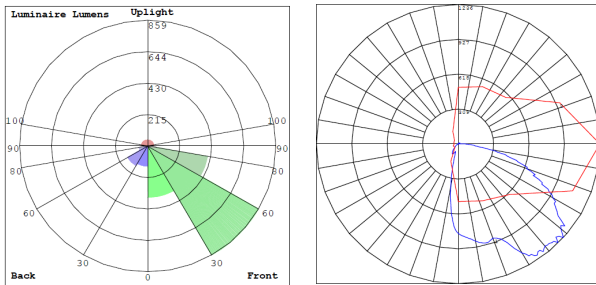
- Ideal for general site lighting, loading docks, doorway, pathway and parking areas.

### Other Models:

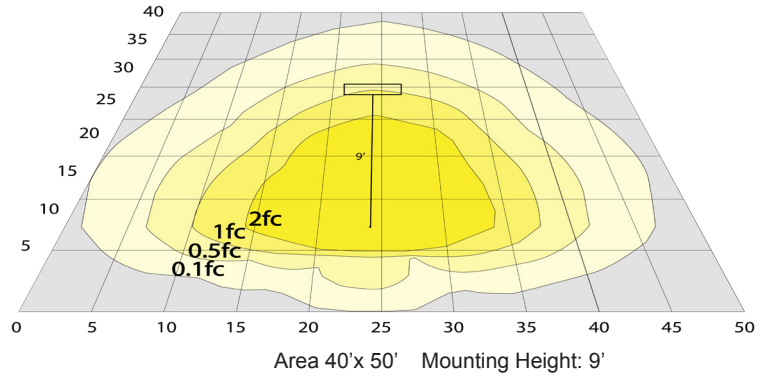
- 30W | 2700LM | LSW-30WW-PC
- 30W | 2800LM | LSW-30NW-PC
- 30W | 2900LM | LSW-30CW-PC



## Photometrics: LSW-20W



BUD Rating: B1-U2-G1



## Other Views:



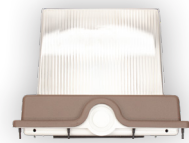
Side View



Front View



Back View



Bottom View

## Performance Table: LSW-20W

MODEL NO.	Wattage	Voltage	Lumens	Color Temp.	BUG Rating	LPW
LSW-22WW-PC	20W	120~277V	2000LM	3000K	B1-U2-G1	100
LSW-22NW-PC	20W	120~277V	2050LM	4000K	B1-U2-G1	103
LSW-22CW-PC	20W	120~277V	2100LM	5000K	B1-U2-G1	105

## Sample Ordering

Model Wattage Color Temp.

LSW - 22 -  - PC

WW = 3000K  
NW = 4000K  
CW = 5000K

## Factory-Installed Options:

Blank = No Option For Accessories  
OPT-NOPC = REMOVE PHOTOCELL  
OPT-SEN-SLPIR = EXTERNAL SECURITY LIGHT TYPE PIR MOTION SENSOR

## FACTORY-INSTALLED OPTIONS:



OPT-SEN-SLPIR

## Example:

1. LSW-22CW-PC
2. LSW-22CW-PC  
OPT-NOPC

(FOR LSW 20W 5000K FIXTURE 120-277V)

(FOR LSW 20W 5000K FIXTURE 120-277V)  
(REMOVE PHOTOCELL)

